

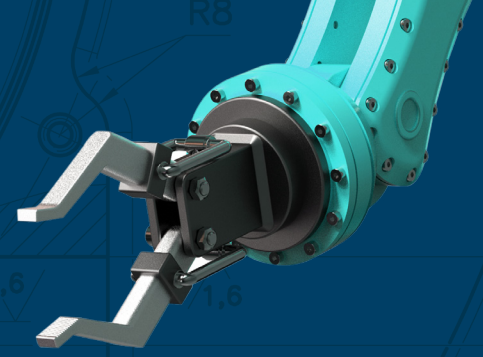
# TASC

THE AUTOMATED SHOP CONFERENCE

OCTOBER 10-11, 2023

SUBURBAN COLLECTION SHOWPLACE | NOVI, MI

# Usher in the Age of Automation



Register by August 31, 2023 to Save \$200!

Conference program curated by:



**Brent Donaldson**  
Editor-in-Chief  
Conference Programming  
Co-Chair



**Matt Kirchner**  
President  
Conference Programming  
Co-Chair

POWERED BY



**PRODUCTION**  
**Machining**

**MoldMaking**  
TECHNOLOGY.



## MONDAY, OCTOBER 9, 2023

12:00 p.m. Facilities Tour of FANUC and Lift *(optional)*  
1:00 – 5:00 p.m. Registration Open  
6:00 – 8:00 p.m. Opening Cocktail Party

## TUESDAY, OCTOBER 10, 2023

7:30 - 8:30 a.m. Registration Open / Breakfast

### AUTOMATION TECH FOR MACHINING

<b>OPENING KEYNOTE</b>	
8:30 - 9:00 a.m.	Culture Changeover – Preparing Your Team for Automation Matt Kirchner   LAB Midwest
9:00 - 9:30 a.m.	Manufacturing Applications Coordinator Brad Cisewski   Pointe Precision
9:30 - 10:00 a.m.	Machine Tool Automation and Process Considerations Wade Anderson   Okuma America
<b>10:00 - 10:30 a.m. NETWORKING BREAK</b>	
10:30 - 11:00 a.m.	Smart Technology Systems: Automating Each Step of the Manufacturing Process Rob Caron   Caron Engineering, Inc.
11:00 - 11:30 a.m.	Automated Digital Inspection Craig Mathews   ThyssenKrupp Bilstein of America
11:30 a.m. - 12:00 p.m.	Total Process Control for CNC Machines and Robots Denis Vasilescu   Renishaw, Inc.

12:00 - 1:00 p.m. **LUNCH**

### MACHINING PROCESS AUTOMATION

1:00 - 1:30 p.m.	Does the Idea of Investing in a Flexible Automation System Give You Butterflies? Success Stories and Sound Advice for Shops of All Sizes Christopher Rezny   Fastems Group
1:30 - 2:00 p.m.	Robots on the Shop Floor – a Practical Introduction Andra Keay   AMT
2:00 - 2:30 p.m.	From Manual to Automated: Developing a Low-Cost Machine Tending System for Independent Machine Shops Mike Becker   Harland Sharp
2:30 - 3:00 p.m.	Multi-Part Setups vs. Single Part Flow Donald Witt   Urschel Laboratories

3:00 - 3:30 p.m. **NETWORKING BREAK**

### JUSTIFYING AUTOMATION WITH ROI

3:30 - 4:00 p.m.	Adapt Your Manufacturing Process: Do MORE with LESS Steve Alexander   Acieta
4:00 - 4:30 p.m.	Keep Your Lights ON by Going Lights OUT: How Lights Out Manufacturing Can Make You Money Jacob Sanchez   Industrial Strength Marketing
4:30 - 5:00 p.m.	The Hidden Factors in Calculating a Robot's ROI Steve Alexander   Acieta

5:00 - 6:30 p.m. **NETWORKING RECEPTION**

## WEDNESDAY, OCTOBER 11, 2023

8:00 - 9:00 a.m. Registration Open / Breakfast

### ROBOTS, LABOR & TECHNOLOGY

9:00 - 9:30 a.m.	I Thought Robots Were Supposed to Make Everything Easier!?! Nathan Byrman   Wolfram Manufacturing
9:30 - 10:00 a.m.	Robots: Your Key to Employee Retention Robby Komijencovic   Acieta
10:00 - 10:30 a.m.	Smart Robotic Cells: Labor Shortage Solutions for Surface Finishing Applications Eric Summa   GreyMatter Robotics

10:30 - 11:00 a.m. **NETWORKING BREAK**

### SOLVING FOR AUTOMATION TALENT

11:00 - 11:30 a.m.	The 5 Steps to Upskilling Your Workforce in the Age of Industry 4.0 Ivan Manuel   LAB Midwest
11:30 a.m. - 12:00 p.m.	World Class Talent Pipeline: Partnering with Your Technical/Community College to Secure Automation Talent Nick Mootz   ATS Midwest

12:00 - 1:00 p.m. **LUNCH**

### COBOTS & MACHINING

1:00 - 1:30 p.m.	Automated Inspections with Cobots Fabian Schmahl   Bold Promises Delivered
1:30 - 2:00 p.m.	Industry 4.0 for Me - Workers Alongside Automation Dan Bagley   Strategic Ink - SideKick Werks
2:00 - 2:30 p.m.	Think Long Term Success: Why Cobots are the First Choice for Many Small to Medium-sized Companies Larry Marino   FANUC America Corporation
2:30 - 3:00 p.m.	Win More Business, Boost Productivity and Improve Retention in Your Shop with Collaborative Automation Will Healy III   Universal Robots

3:00 p.m. **END OF CONFERENCE**

Register and learn more at  
[TASCevent.com](https://TASCevent.com)

